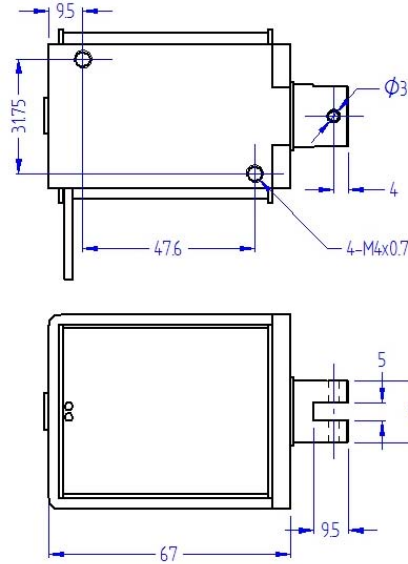
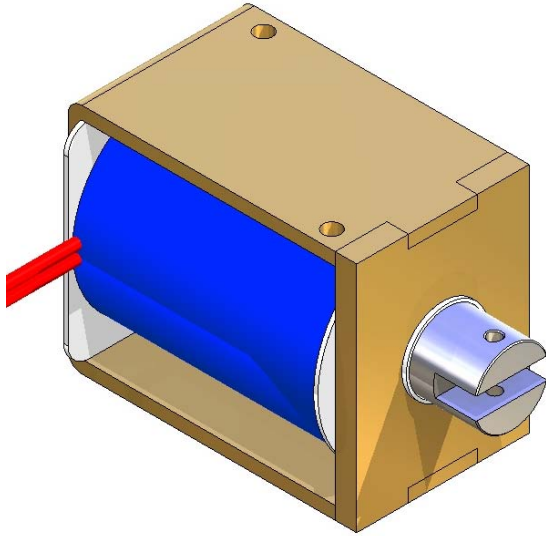


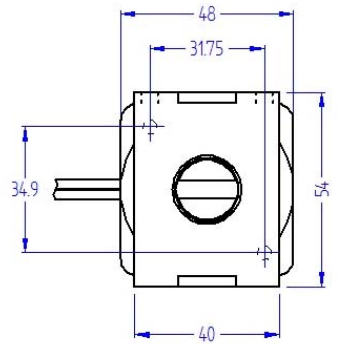


# D - Frame Solenoid

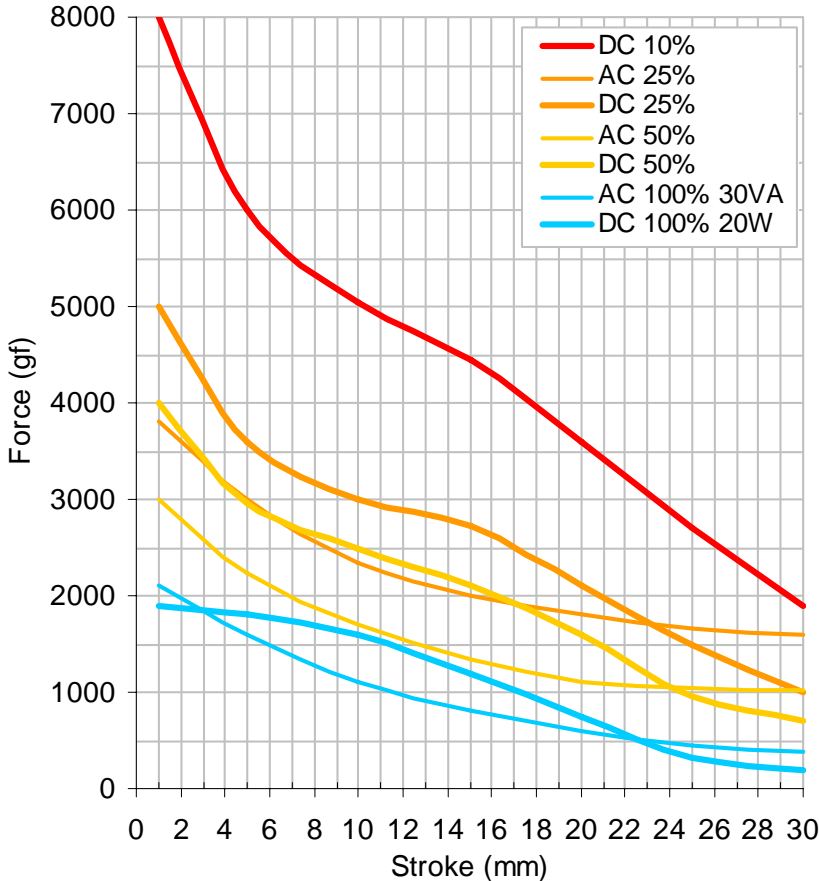
# SD1767



Dimensions in millimetres  
Total solenoid weight 800g  
Plunger weight: 85g



### Force/Stroke Characteristics



- Pull or thrust type
- Flying leads with optional terminals/connector
- Corrosion resistant plated parts
- Optional return spring
- Customised plunger ends and fixing centres
- Optional voltages and duty ratings

