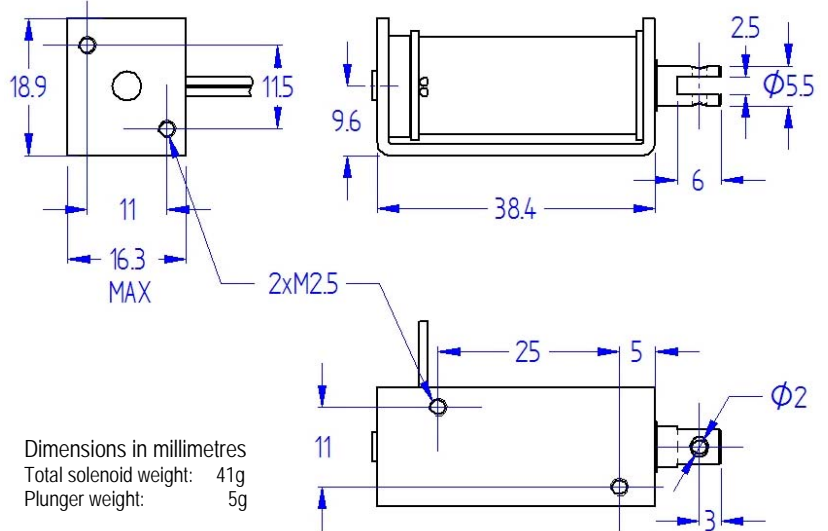
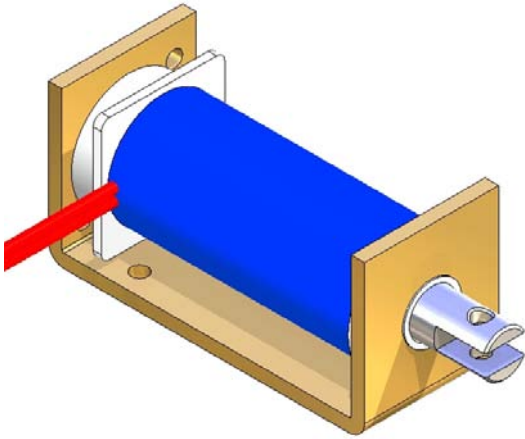




C - Frame Solenoid

# SC0639



Please Contact Us for  
Force//Stroke Curve  
Information

- Pull or thrust type
- Flying leads with optional terminals
- Corrosion resistant plated parts
- Optional return spring
- Customised plunger ends and fixing centres
- Optional voltages and duty ratings

**SOLENTEC**  
SOLENOID TECHNOLOGY

Solentec Ltd, All Saints Industrial Estate, Shildon, County Durham, DL4 2RD, England  
Tel: +44 (0)1388 778555 Fax: +44 (0)1388 778999  
website: [www.solenoids.co.uk](http://www.solenoids.co.uk) e-mail: [enquiries@solenoids.co.uk](mailto:enquiries@solenoids.co.uk)