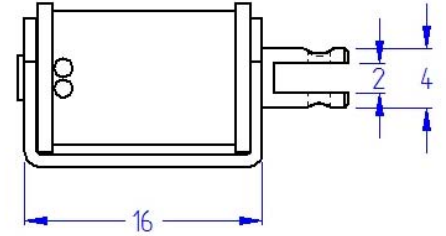
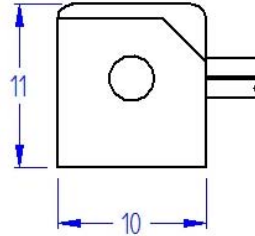
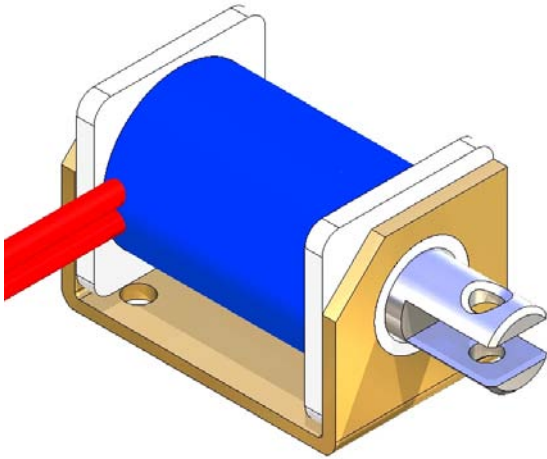


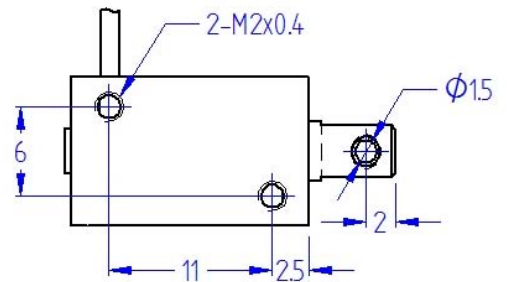


C - Frame Solenoid

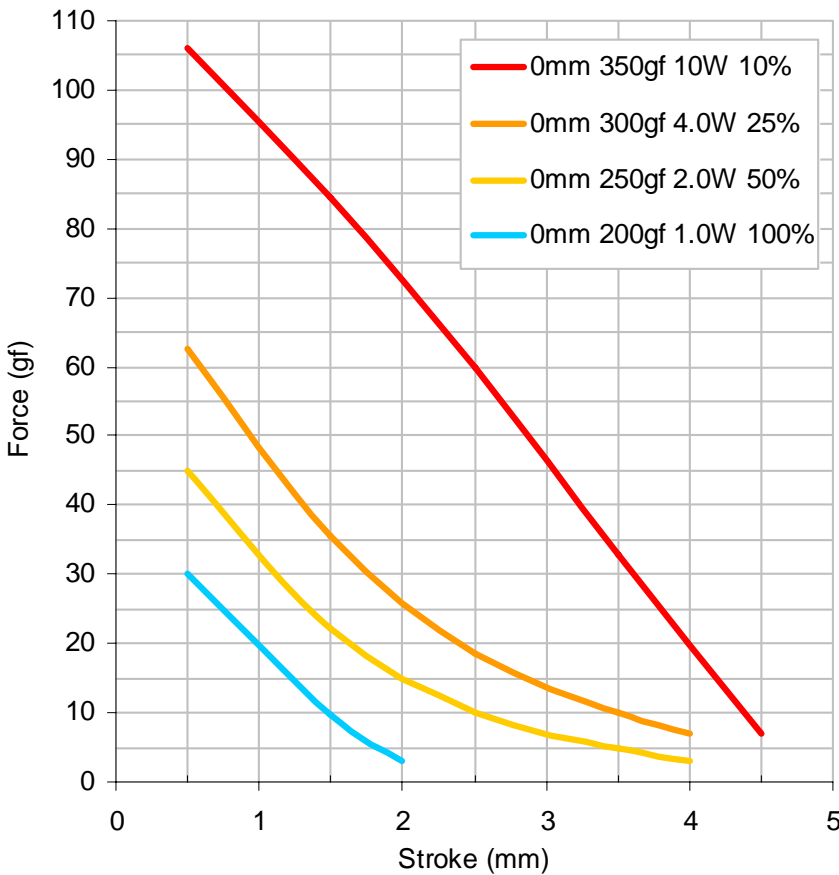
SC0416



Dimensions in millimetres
Total solenoid weight: 8g
Plunger weight: 2g



Force/Stroke Characteristics



- Pull or thrust type
- Flying leads with optional terminals
- Corrosion resistant plated parts
- Optional return spring
- Customised plunger ends and fixing centres
- Optional voltages and duty ratings



SOLENTEC
SOLENOID TECHNOLOGY

Solentec Ltd, All Saints Industrial Estate, Shildon, County Durham, DL4 2RD, England
Tel: +44 (0)1388 778555 Fax: +44 (0)1388 778999
website: www.solenoids.co.uk e-mail: enquiries@solenoids.co.uk