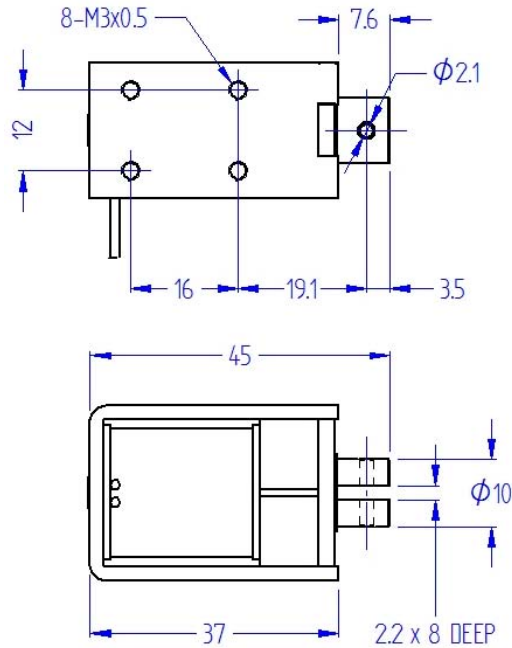
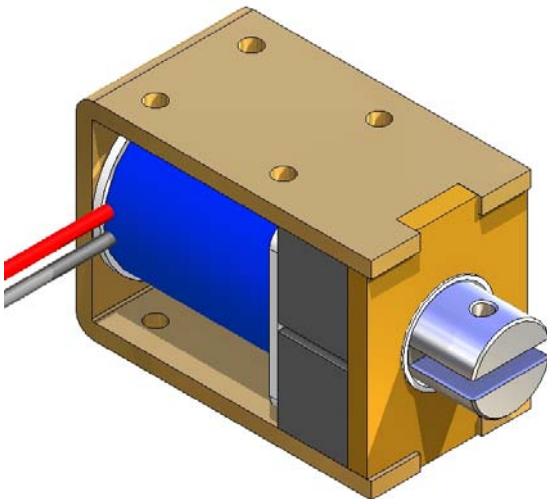




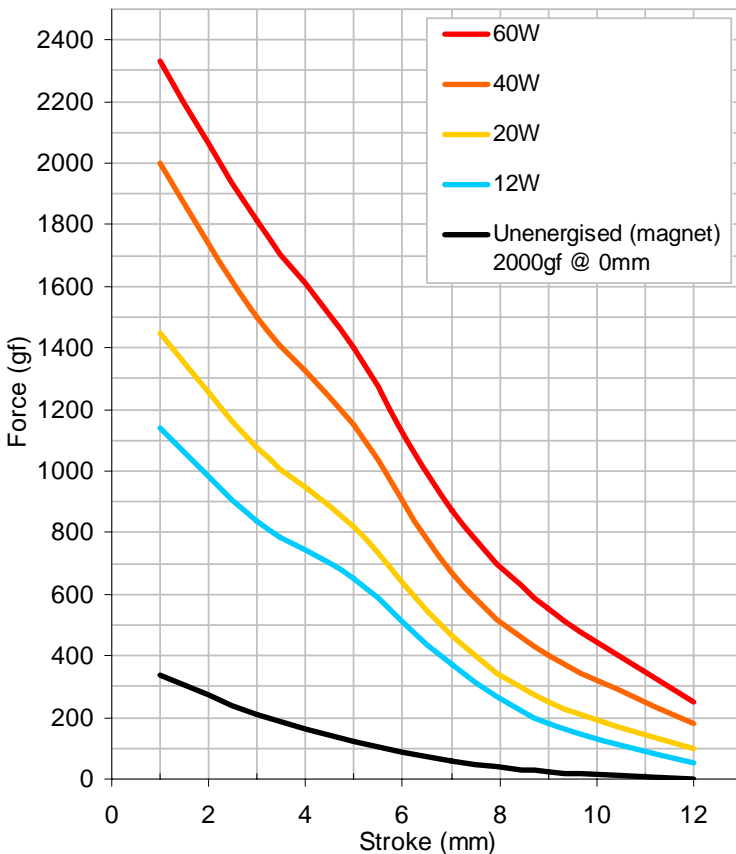
Permanent Magnet Latching Solenoid

SK1037



Dimensions in millimetres
 Total solenoid weight: 95g
 Plunger weight: 18g

Force/Stroke Characteristics



- Pull or thrust type
- Flying leads with optional terminals/connector
- Corrosion resistant plated parts
- Optional return spring
- Customised plunger ends and fixing centres
- Optional voltages and duty ratings

