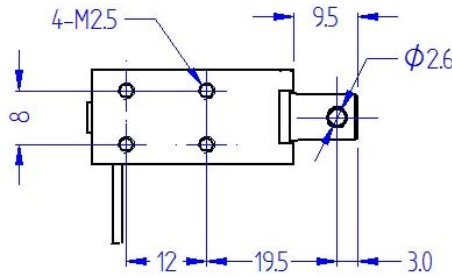
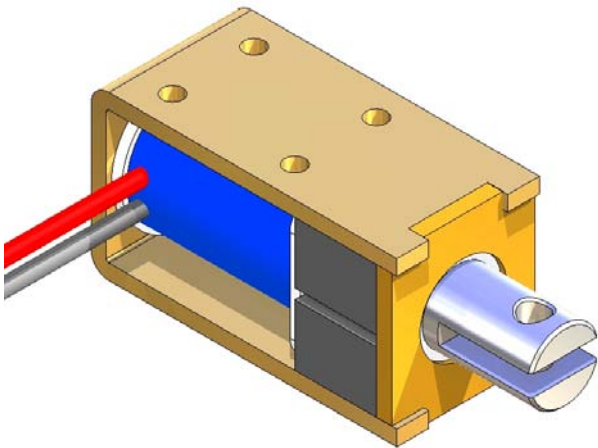


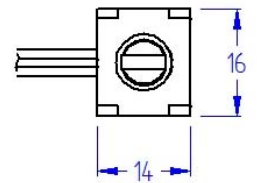
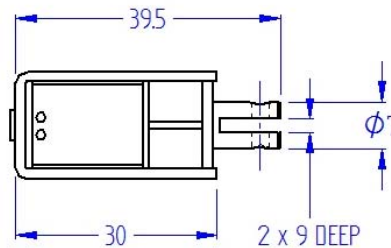


# Permanent Magnet Latching Solenoid

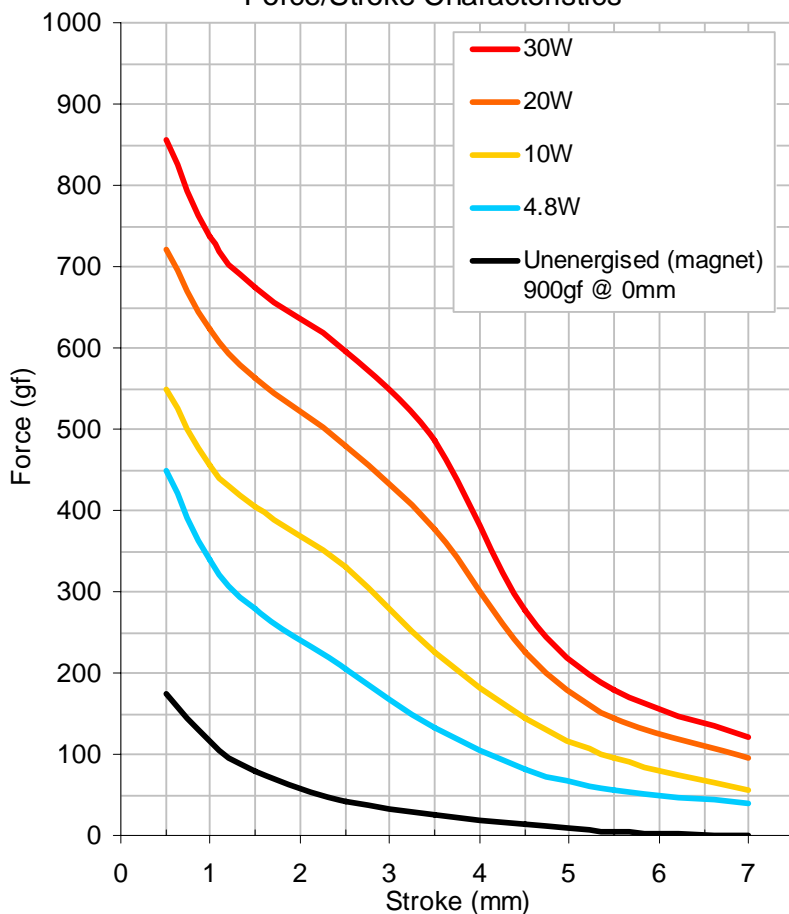
# SK0730



Dimensions in millimetres  
Total solenoid weight: 34g  
Plunger weight: 8g



### Force/Stroke Characteristics



- Pull or thrust type
- Flying leads with optional terminals/connector
- Corrosion resistant plated parts
- Optional return spring
- Customised plunger ends and fixing centres
- Optional voltages and duty ratings



## SOLENTEC

SOLENOID TECHNOLOGY