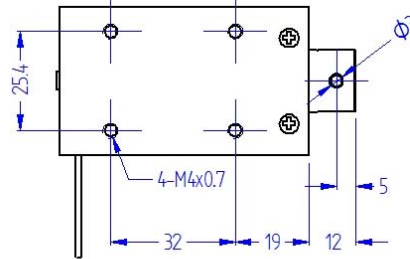
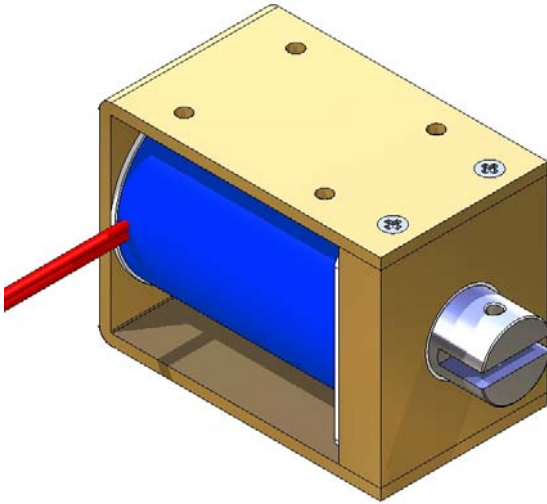


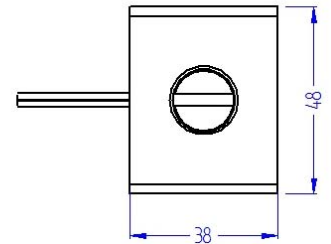
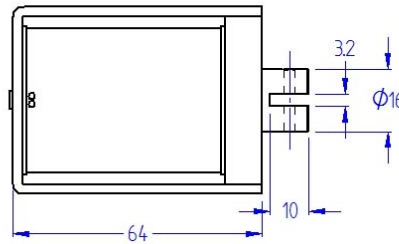


D - Frame Solenoid

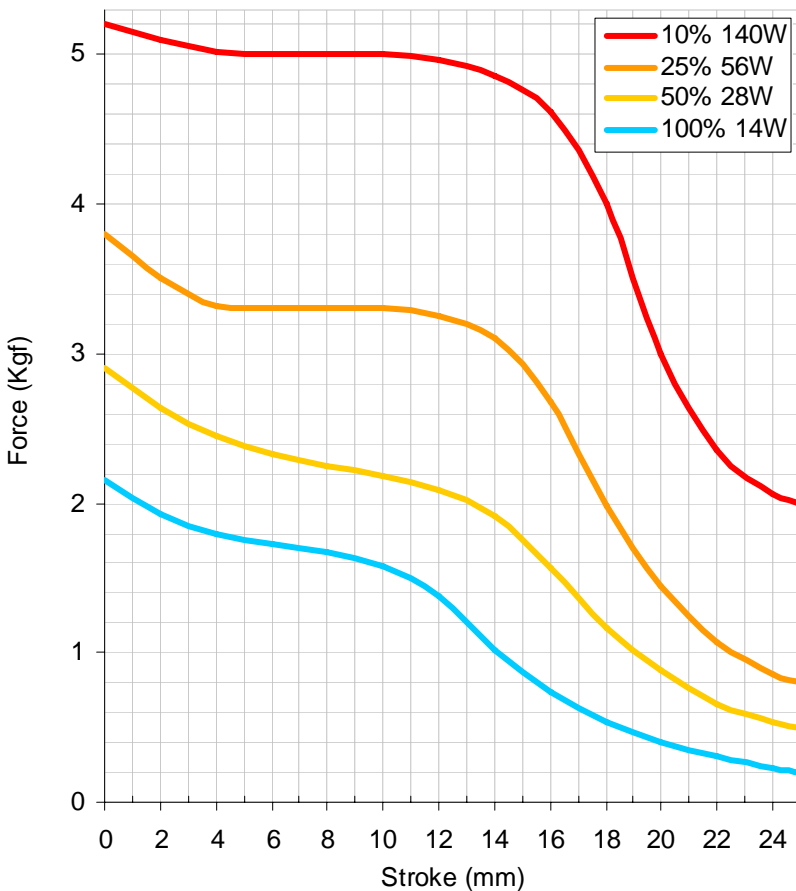
SD1664



Dimensions in millimetres
Total solenoid weight: 600g
Plunger weight: 90g



Force/Stroke Characteristics



- Pull or thrust type
- Flying leads with optional terminals/connector
- Corrosion resistant plated parts
- Optional return spring
- Customised plunger ends and fixing centres
- Optional voltages and duty ratings


SOLENTEC
SOLENOID TECHNOLOGY