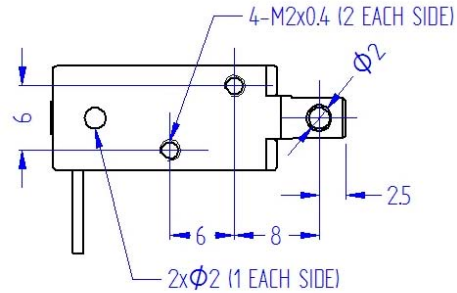
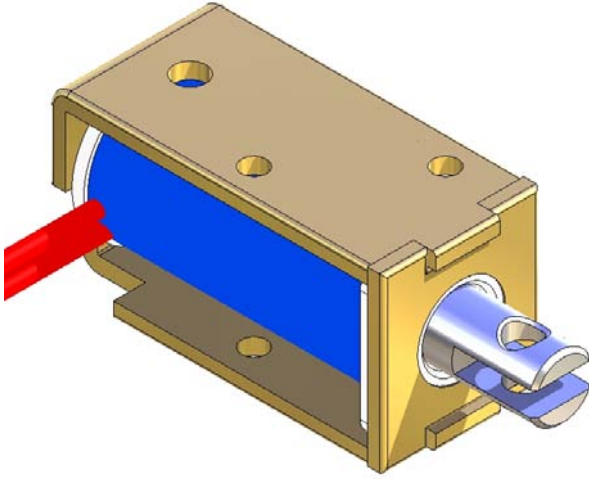


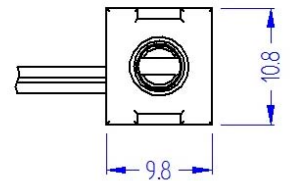
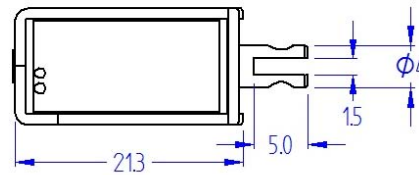


# D - Frame Solenoid

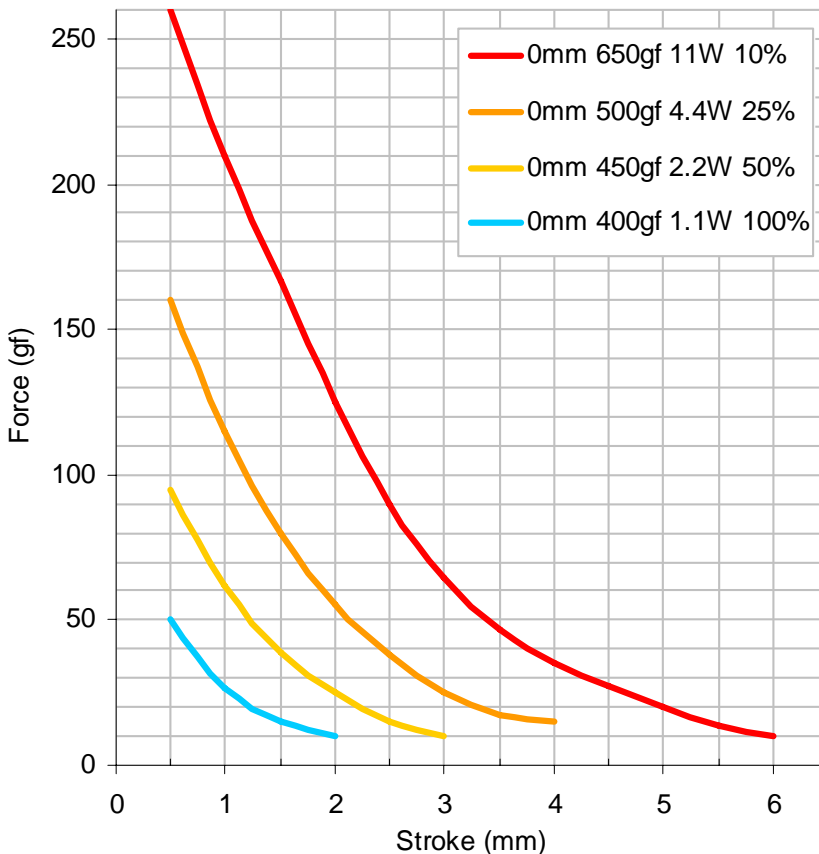
# SD0421



Dimensions in millimetres  
Total solenoid weight: 10g  
Plunger weight: 2g



Force/Stroke Characteristics



- Pull or thrust type
- Flying leads with optional terminals
- Corrosion resistant plated parts
- Optional return spring
- Customised plunger ends and fixing centres
- Optional voltages and duty ratings



**SOLENTEC**  
SOLENOID TECHNOLOGY